

# SET-UP SHEET

<b>RACE</b>			
<b>TRACK</b>			
<b>NAME</b>			
<b>CITY / COUNTRY</b>			
<b>CONTACT</b>			

<b>DATE</b>	TEMPERATURE / °F or °C	AIR	TRACK
-------------	---------------------------	-----	-------

QUALIFYING POSITION	BEST LAPTIME / sec	FINAL POSITION	LAPS	RACE LENGTH / minutes
---------------------	--------------------	----------------	------	-----------------------

<b>TRACK CONDITION</b>	<input type="checkbox"/> SMOOTH	<input type="checkbox"/> MEDIUM	<input type="checkbox"/> BUMPY
	<input type="checkbox"/> TECHNICAL	<input type="checkbox"/> MIXED	<input type="checkbox"/> FAST
<b>TRACTION</b>	<input type="checkbox"/> LOW	<input type="checkbox"/> MEDIUM	<input type="checkbox"/> HIGH

<b>FRONT</b>	<b>DIFF</b>	<b>REAR</b>
	GEAR DIFF. OIL/cSt (K)	

ONE WAY DIFFERENTIAL	<input type="checkbox"/> YES
SOLID ONE WAY DIFF.	<input type="checkbox"/> YES
SOLID AXLE	<input type="checkbox"/> YES
SOLID AXLE	<input type="checkbox"/> YES

**BALL DIFFERENTIAL**

<input type="checkbox"/> LOOSE	<input type="checkbox"/> MEDIUM	<input type="checkbox"/> TIGHT	<input type="checkbox"/> LOOSE	<input type="checkbox"/> MEDIUM	<input type="checkbox"/> TIGHT
--------------------------------	---------------------------------	--------------------------------	--------------------------------	---------------------------------	--------------------------------

**GEARING**

<b>PINION</b>	1ST 15 <input type="checkbox"/> 16 <input type="checkbox"/> 17 <input type="checkbox"/> 18 <input type="checkbox"/>	<b>SPUR</b>	1ST 57 <input type="checkbox"/> 58 <input type="checkbox"/> 59 <input type="checkbox"/> 60 <input type="checkbox"/>
	2ND 20 <input type="checkbox"/> 21 <input type="checkbox"/> 22 <input type="checkbox"/> 23 <input type="checkbox"/>		2ND 53 <input type="checkbox"/> 54 <input type="checkbox"/> 55 <input type="checkbox"/>

<b>PULLEY</b>	25 <input type="checkbox"/> 26 <input type="checkbox"/>	<b>RATIO 1ST</b>	<b>RATIO 2ND</b>
---------------	---	------------------	------------------

<b>FRONT</b>	<b>SHOCKS</b>	<b>REAR</b>
	SPRING	
	OIL / cSt	
	REBOUND %	
	MEMBRANE	
<input type="checkbox"/> YES	<input type="checkbox"/> NO	FOAM INSERTS
<input type="checkbox"/> PLASTIC	<input type="checkbox"/> ALU	SHOCK BODY
<input type="checkbox"/> YES	<input type="checkbox"/> NO	ADJUSTABLE PISTONS
		HOLE IN PISTON /mm

**HOLES IN PISTON**

<input type="radio"/> OPENED	<input type="radio"/> CLOSED
------------------------------	------------------------------

<b>FRONT</b>	<b>ANTI-ROLL BAR</b>	<b>REAR</b>
<input type="checkbox"/> 0°	<input type="checkbox"/> 30°	<input type="checkbox"/> 0°
<input type="checkbox"/> 45°	<input type="checkbox"/> 60°	<input type="checkbox"/> 30°
<input type="checkbox"/> 90°	<input type="checkbox"/> 90°	<input type="checkbox"/> 45°
<input type="checkbox"/> NO	<input type="checkbox"/>	<input type="checkbox"/>

**WIRE** /mm

<b>FRONT</b>	<b>TIRES</b>	<b>REAR</b>
LEFT	RIGHT	LEFT
	MANUFACTURER	RIGHT
	SHORE / deg°	
	DIAMETER / mm	
	5 MIN. WEAR /mm	
	RUBBER TIRES	
	INSERT	

**ENGINE**

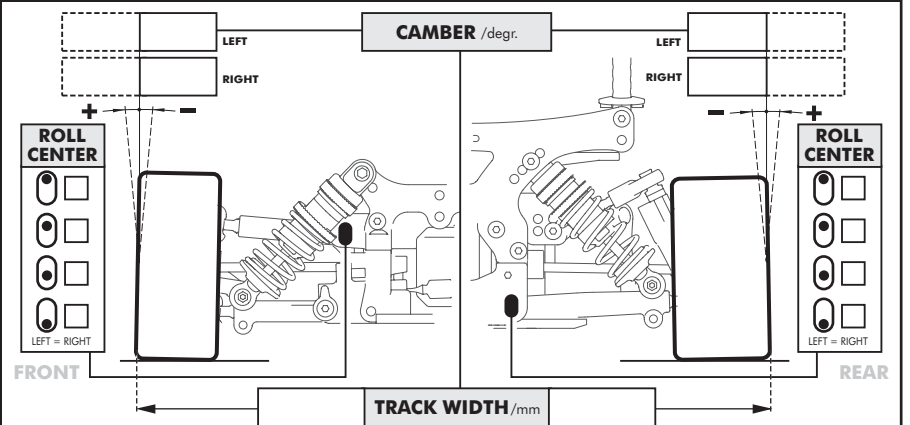
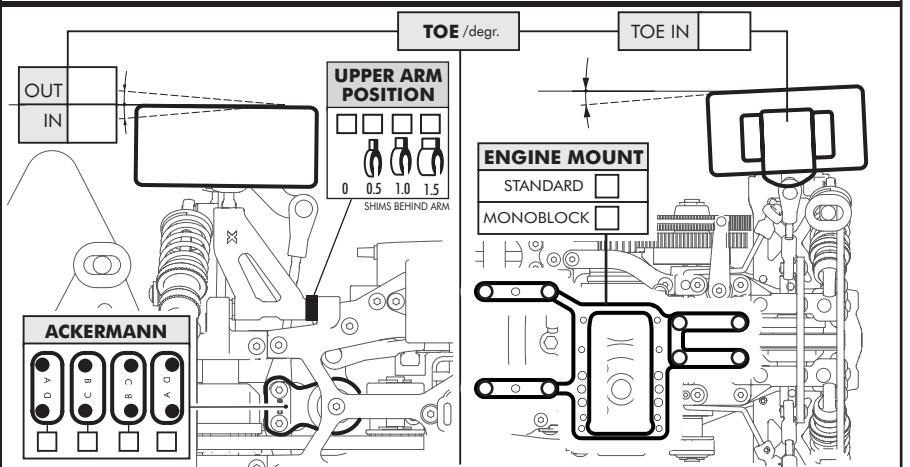
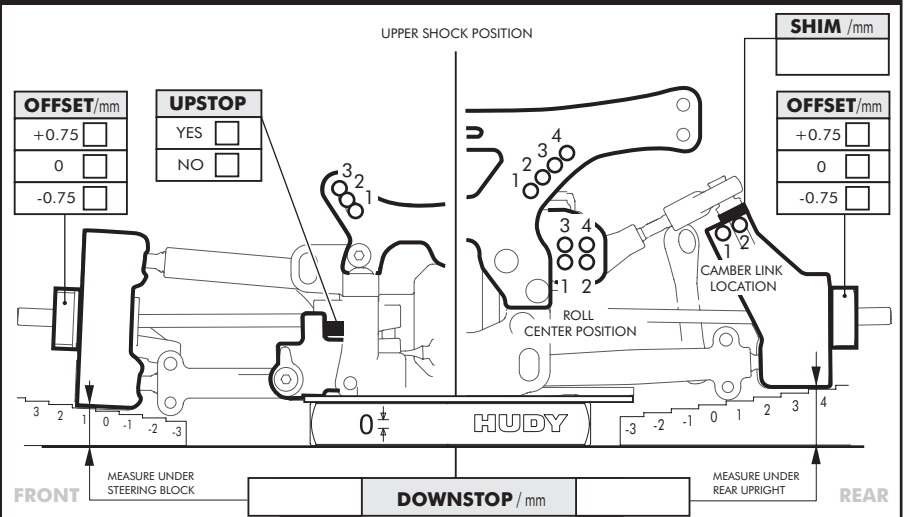
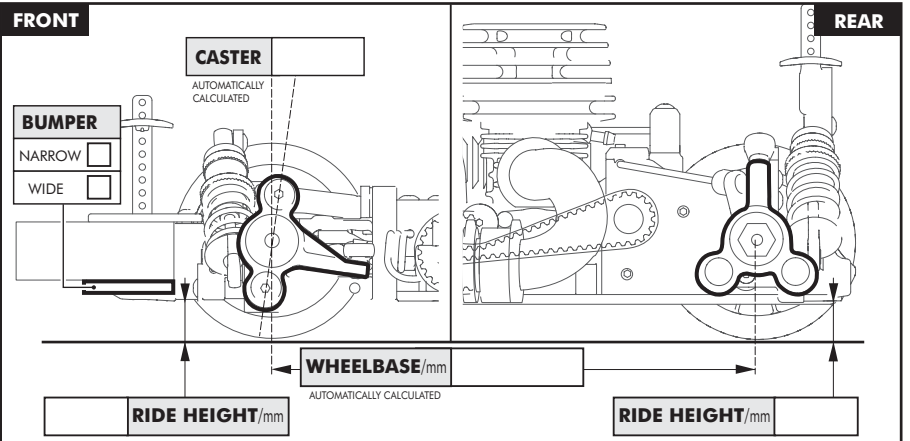
<b>ENGINE</b>	
CARB. DIA /mm	HEAD SHIM /mm
<b>MUFFLER</b>	FUEL

**CLUTCH / BRAKE**

FLYWHEEL	<input type="checkbox"/> STANDARD	OTHER
CLUTCH FLYWEIGHTS	<input type="checkbox"/> STANDARD	OTHER
CLUTCH SHOE	<input type="checkbox"/> WHITE	<input type="checkbox"/> YELLOW
CLEARANCE /mm	CLUTCH SPRING	<input type="checkbox"/> STANDARD
BRAKE PAD	<input type="checkbox"/> STANDARD	OTHER
BRAKE SETTING %		

**BODY**

WING HEIGHT	WING POSITION	WING ANGLE
-------------	---------------	------------



**COMMENTS**