

SET-UP SHEET

XRAY NT1

RACE			
TRACK			
NAME			
CITY / COUNTRY			
CONTACT			

DATE	TEMPERATURE / °F or °C	AIR	TRACK
-------------	---------------------------	-----	-------

QUALIFYING POSITION	BEST LAPTIME / sec	FINAL POSITION	LAPS	RACE LENGTH / minutes
----------------------------	---------------------------	-----------------------	-------------	------------------------------

TRACK CONDITION	<input type="checkbox"/> SMOOTH	<input type="checkbox"/> MEDIUM	<input type="checkbox"/> BUMPY
	<input type="checkbox"/> TECHNICAL	<input type="checkbox"/> MIXED	<input type="checkbox"/> FAST
TRACTION	<input type="checkbox"/> LOW	<input type="checkbox"/> MEDIUM	<input type="checkbox"/> HIGH

FRONT	DIFF	REAR
	GEAR DIFF. OIL/cSt (K)	

ONE WAY DIFFERENTIAL	<input type="checkbox"/> YES
SOLID ONE WAY DIFF.	<input type="checkbox"/> YES
SOLID AXLE	<input type="checkbox"/> YES
SOLID AXLE	<input type="checkbox"/> YES

BALL DIFFERENTIAL

<input type="checkbox"/> LOOSE	<input type="checkbox"/> MEDIUM	<input type="checkbox"/> TIGHT	<input type="checkbox"/> LOOSE	<input type="checkbox"/> MEDIUM	<input type="checkbox"/> TIGHT
--------------------------------	---------------------------------	--------------------------------	--------------------------------	---------------------------------	--------------------------------

GEARING

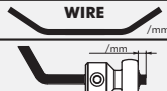
PINION	1ST 15 <input type="checkbox"/> 16 <input type="checkbox"/> 17 <input type="checkbox"/> 18 <input type="checkbox"/>	SPUR	1ST 57 <input type="checkbox"/> 58 <input type="checkbox"/> 59 <input type="checkbox"/> 60 <input type="checkbox"/>
	2ND 20 <input type="checkbox"/> 21 <input type="checkbox"/> 22 <input type="checkbox"/> 23 <input type="checkbox"/>		2ND 53 <input type="checkbox"/> 54 <input type="checkbox"/> 55 <input type="checkbox"/>

PULLEY	25 <input type="checkbox"/> 26 <input type="checkbox"/>	RATIO 1ST	RATIO 2ND
---------------	---	------------------	------------------

FRONT	SHOCKS	REAR		
	SPRING			
	OIL / cSt			
	REBOUND %			
	MEMBRANE			
<input type="checkbox"/> YES	<input type="checkbox"/> NO	FOAM INSERTS	<input type="checkbox"/> YES	<input type="checkbox"/> NO
<input type="checkbox"/> PLASTIC	<input type="checkbox"/> ALU	SHOCK BODY	<input type="checkbox"/> PLASTIC	<input type="checkbox"/> ALU
<input type="checkbox"/> YES	<input type="checkbox"/> NO	ADJUSTABLE PISTONS	<input type="checkbox"/> YES	<input type="checkbox"/> NO
		HOLE IN PISTON /mm		

HOLES IN PISTON

<input type="radio"/> OPENED	<input type="radio"/> CLOSED
------------------------------	------------------------------

FRONT	ANTI-ROLL BAR	REAR
0° <input type="checkbox"/> 30° <input type="checkbox"/> 45° <input type="checkbox"/> 60° <input type="checkbox"/> 90° <input type="checkbox"/>	0° <input type="checkbox"/> 30° <input type="checkbox"/> 45° <input type="checkbox"/> 60° <input type="checkbox"/> 90° <input type="checkbox"/>	0° <input type="checkbox"/> 30° <input type="checkbox"/> 45° <input type="checkbox"/> 60° <input type="checkbox"/> 90° <input type="checkbox"/>
NO <input type="checkbox"/>	WIRE	
		

FRONT	TIRES	REAR	
LEFT	RIGHT	LEFT	RIGHT
	MANUFACTURER		
	SHORE / deg°		
	DIAMETER / mm		
	5 MIN. WEAR /mm		
	RUBBER TIRES		
	INSERT		

ENGINE

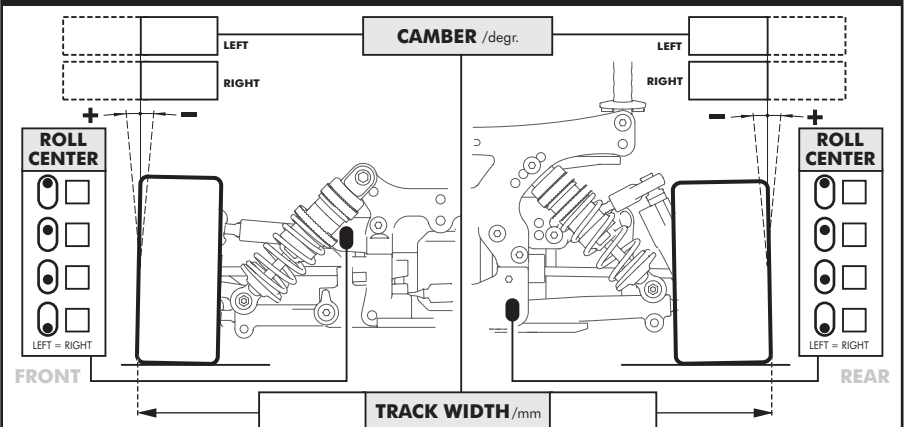
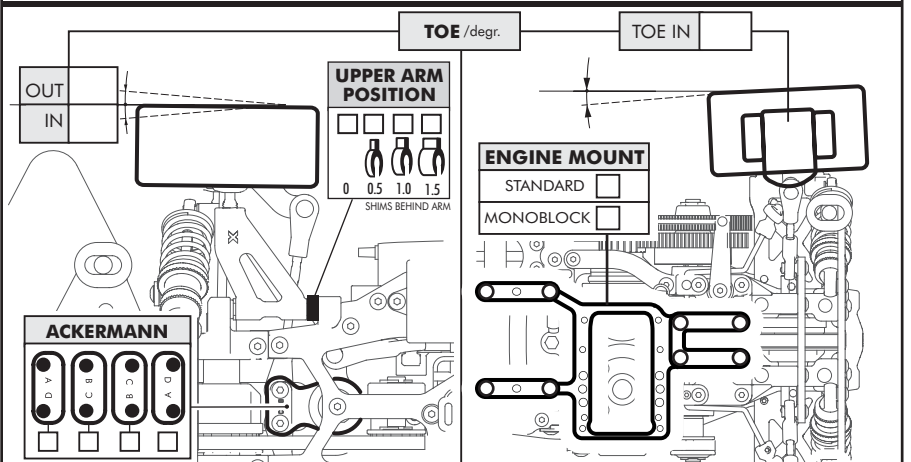
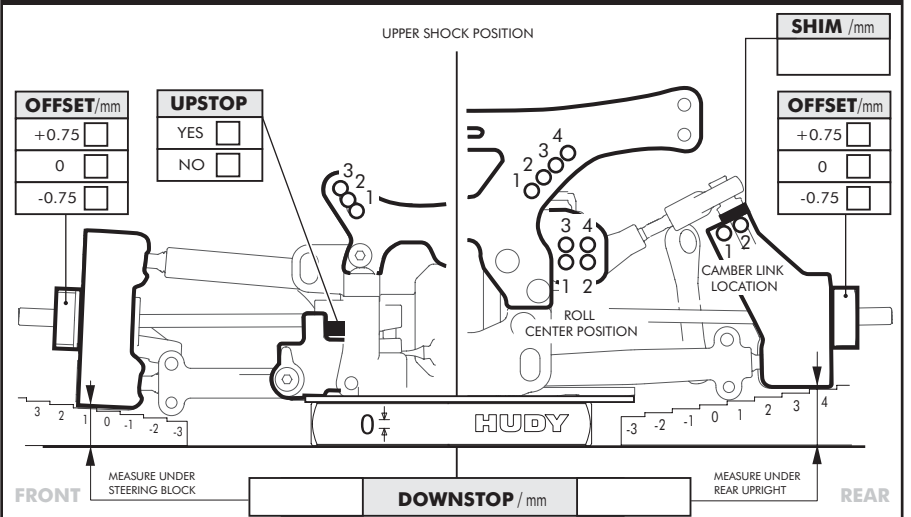
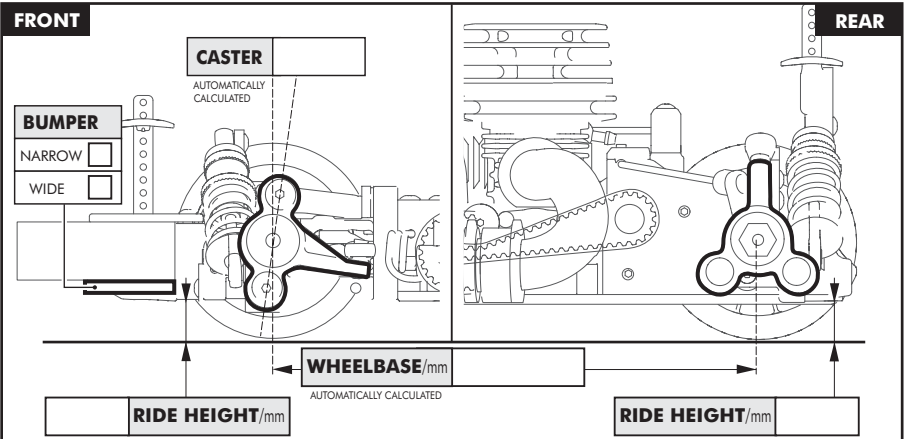
ENGINE			
CARB. DIA /mm	HEAD SHIM /mm	PLUG	
MUFFLER	FUEL		

CLUTCH / BRAKE

FLYWHEEL	<input type="checkbox"/> STANDARD	OTHER		
CLUTCH FLYWEIGHTS	<input type="checkbox"/> STANDARD	OTHER		
CLUTCH SHOE	<input type="checkbox"/> WHITE	<input type="checkbox"/> YELLOW	CLUTCH SPRING	<input type="checkbox"/> STANDARD
CLEARANCE /mm		ADJ. NUT /mm		
BRAKE PAD	<input type="checkbox"/> STANDARD	OTHER		
BRAKE SETTING %				

BODY

WING HEIGHT	WING POSITION	WING ANGLE
-------------	---------------	------------



COMMENTS