

# SET-UP SHEET

<b>RACE</b>			
<b>TRACK</b>			
<b>NAME</b>			
<b>CITY / COUNTRY</b>			
<b>CONTACT</b>			

<b>DATE</b>	TEMPERATURE / °F or °C	AIR	TRACK
-------------	---------------------------	-----	-------

QUALIFYING POSITION	BEST LAPTIME / sec	FINAL POSITION	LAPS	RACE LENGTH / minutes
---------------------	--------------------	----------------	------	-----------------------

<b>TRACK CONDITION</b>	<input type="checkbox"/> SMOOTH	<input type="checkbox"/> MEDIUM	<input type="checkbox"/> BUMPY
	<input type="checkbox"/> TECHNICAL	<input type="checkbox"/> MIXED	<input type="checkbox"/> FAST
<b>TRACTION</b>	<input type="checkbox"/> LOW	<input type="checkbox"/> MEDIUM	<input type="checkbox"/> HIGH

FRONT	DIFF	REAR
	GEAR DIFF. OIL/cSt (K)	

ONE WAY DIFFERENTIAL	<input type="checkbox"/> YES		
SOLID ONE WAY DIFF.	<input type="checkbox"/> YES		
SOLID AXLE	<input type="checkbox"/> YES	SOLID AXLE	<input type="checkbox"/> YES

**BALL DIFFERENTIAL**

<input type="checkbox"/> LOOSE	<input type="checkbox"/> MEDIUM	<input type="checkbox"/> TIGHT	<input type="checkbox"/> LOOSE	<input type="checkbox"/> MEDIUM	<input type="checkbox"/> TIGHT
--------------------------------	---------------------------------	--------------------------------	--------------------------------	---------------------------------	--------------------------------

**GEARING**

<b>PINION</b>	1ST 15 <input type="checkbox"/> 16 <input type="checkbox"/> 17 <input type="checkbox"/> 18 <input type="checkbox"/>	<b>SPUR</b>	1ST 57 <input type="checkbox"/> 58 <input type="checkbox"/> 59 <input type="checkbox"/> 60 <input type="checkbox"/>
	2ND 20 <input type="checkbox"/> 21 <input type="checkbox"/> 22 <input type="checkbox"/> 23 <input type="checkbox"/>		2ND 53 <input type="checkbox"/> 54 <input type="checkbox"/> 55 <input type="checkbox"/>

<b>PULLEY</b>	25 <input type="checkbox"/> 26 <input type="checkbox"/>	<b>RATIO 1ST</b>	<b>RATIO 2ND</b>
---------------	---	------------------	------------------

FRONT	SHOCKS	REAR
	SPRING	
	OIL / cSt	
	REBOUND %	
	MEMBRANE	
<input type="checkbox"/> YES <input type="checkbox"/> NO	FOAM INSERTS	<input type="checkbox"/> YES <input type="checkbox"/> NO
<input type="checkbox"/> PLASTIC <input type="checkbox"/> ALU	SHOCK BODY	<input type="checkbox"/> PLASTIC <input type="checkbox"/> ALU
<input type="checkbox"/> YES <input type="checkbox"/> NO	ADJUSTABLE PISTONS	<input type="checkbox"/> YES <input type="checkbox"/> NO
	HOLE IN PISTON /mm	

**HOLES IN PISTON**

<input type="radio"/> OPENED	<input type="radio"/> CLOSED
------------------------------	------------------------------

FRONT	ANTI-ROLL BAR	REAR
0° <input type="checkbox"/> 30° <input type="checkbox"/> 45° <input type="checkbox"/> 60° <input type="checkbox"/> 90° <input type="checkbox"/>	0° <input type="checkbox"/> 30° <input type="checkbox"/> 45° <input type="checkbox"/> 60° <input type="checkbox"/> 90° <input type="checkbox"/>	0° <input type="checkbox"/> 30° <input type="checkbox"/> 45° <input type="checkbox"/> 60° <input type="checkbox"/> 90° <input type="checkbox"/>
<b>WIRE</b> /mm <input type="checkbox"/> NO <input type="checkbox"/> YES		

FRONT	TIRES	REAR	
LEFT	RIGHT	LEFT	RIGHT
MANUFACTURER			
SHORE / deg°			
DIAMETER / mm			
5 MIN. WEAR /mm			
RUBBER TIRES			
INSERT			

**ENGINE**

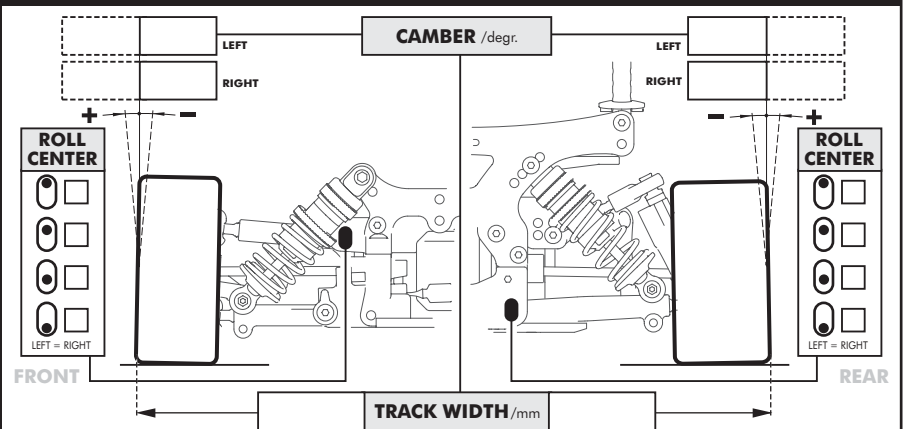
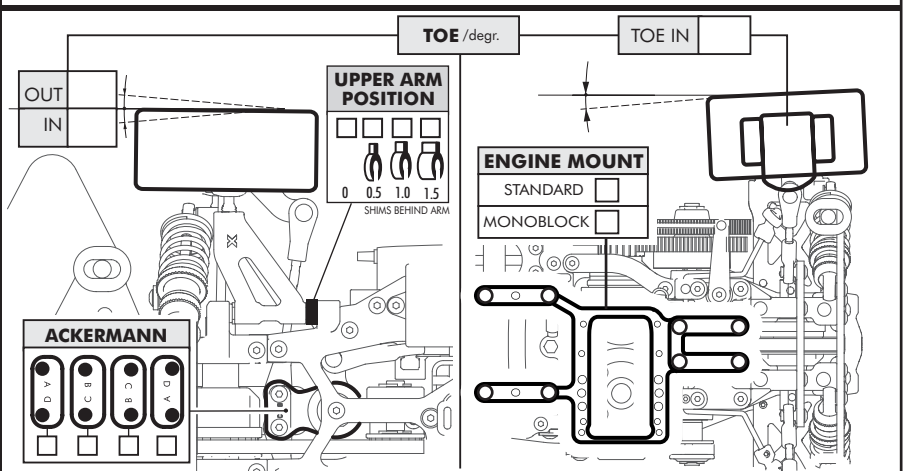
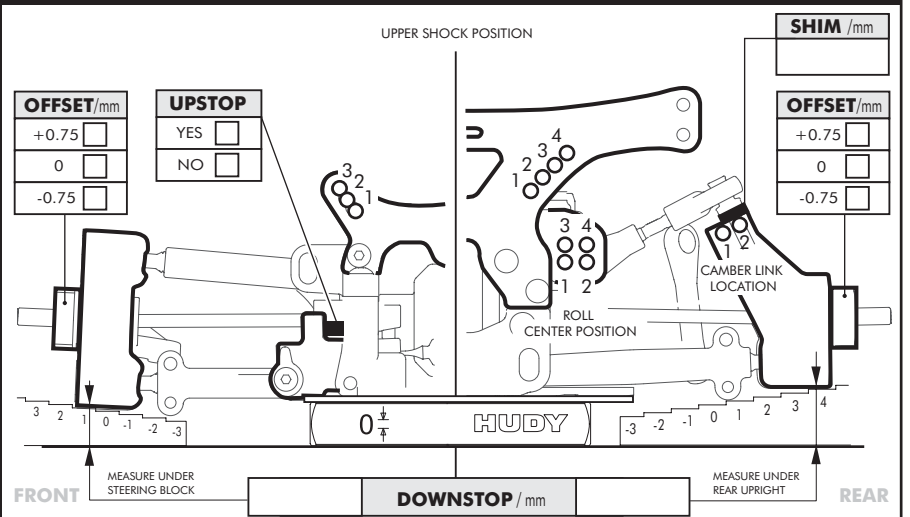
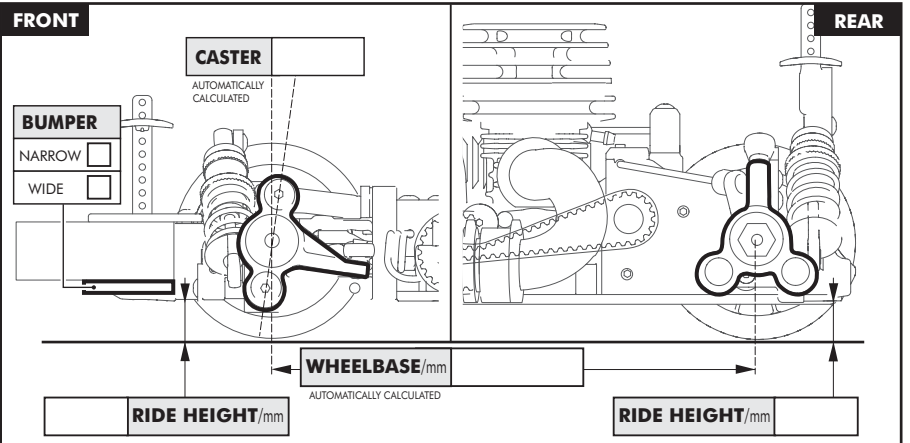
<b>ENGINE</b>		
CARB. DIA /mm	HEAD SHIM /mm	PLUG
<b>MUFFLER</b>	FUEL	

**CLUTCH / BRAKE**

FLYWHEEL	<input type="checkbox"/> STANDARD	OTHER	
CLUTCH FLYWEIGHTS	<input type="checkbox"/> STANDARD	OTHER	
CLUTCH SHOE	<input type="checkbox"/> WHITE <input type="checkbox"/> YELLOW	CLUTCH SPRING	<input type="checkbox"/> STANDARD
CLEARANCE /mm		ADJ. NUT /mm	
BRAKE PAD	<input type="checkbox"/> STANDARD	OTHER	
BRAKE SETTING %			

**BODY**

WING HEIGHT	WING POSITION	WING ANGLE
-------------	---------------	------------



**COMMENTS**