

SET-UP SHEET

RACE			
TRACK			
NAME			
CITY / COUNTRY			
CONTACT			

DATE	TEMPERATURE / °F or °C	AIR	TRACK
-------------	---------------------------	-----	-------

QUALIFYING POSITION	BEST LAPTIME /sec	FINAL POSITION	LAPS	RACE LENGTH /minutes
---------------------	-------------------	----------------	------	----------------------

TRACK CONDITION	<input type="checkbox"/> SMOOTH	<input type="checkbox"/> MEDIUM	<input type="checkbox"/> BUMPY
	<input type="checkbox"/> TECHNICAL	<input type="checkbox"/> MIXED	<input type="checkbox"/> FAST
TRACTION	<input type="checkbox"/> LOW	<input type="checkbox"/> MEDIUM	<input type="checkbox"/> HIGH

FRONT	DIFF	REAR
	GEAR DIFF. OIL/cSt (K)	

ONE WAY DIFFERENTIAL	<input type="checkbox"/> YES
SOLID ONE WAY DIFF.	<input type="checkbox"/> YES
SOLID AXLE	<input type="checkbox"/> YES
SOLID AXLE	<input type="checkbox"/> YES

BALL DIFFERENTIAL					
<input type="checkbox"/>	<input type="checkbox"/>	<input type="checkbox"/>	<input type="checkbox"/>	<input type="checkbox"/>	<input type="checkbox"/>
LOOSE	MEDIUM	TIGHT	LOOSE	MEDIUM	TIGHT

GEARING					
PINION	1ST	15	16	17	18
	2ND	20	21	22	23
SPUR	1ST	57	58	59	60
	2ND	53	54	55	

PULLEY	25	26
RATIO 1ST		RATIO 2ND

FRONT	SHOCKS	REAR
	SPRING	
	OIL / cSt	
	REBOUND %	
	MEMBRANE	
<input type="checkbox"/> YES	<input type="checkbox"/> NO	FOAM INSERTS
<input type="checkbox"/> PLASTIC	<input type="checkbox"/> ALU	SHOCK BODY
<input type="checkbox"/> YES	<input type="checkbox"/> NO	ADJUSTABLE PISTONS
		HOLE IN PISTON /mm

<input type="radio"/> OPENED	<input type="radio"/> CLOSED	HOLES IN PISTON
------------------------------	------------------------------	-----------------

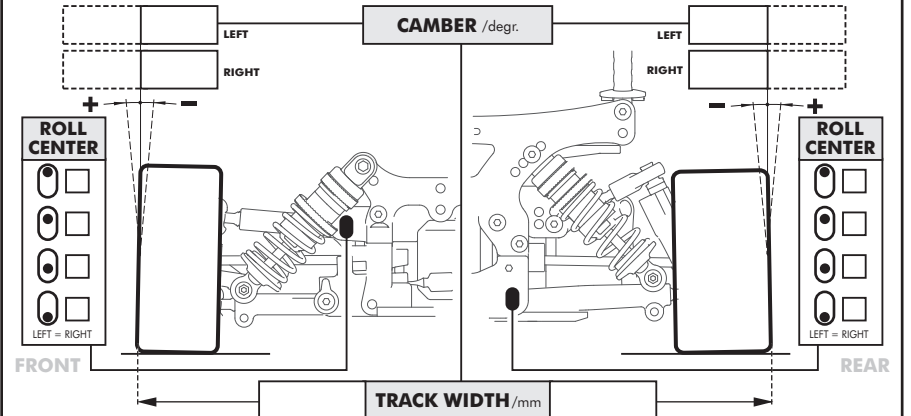
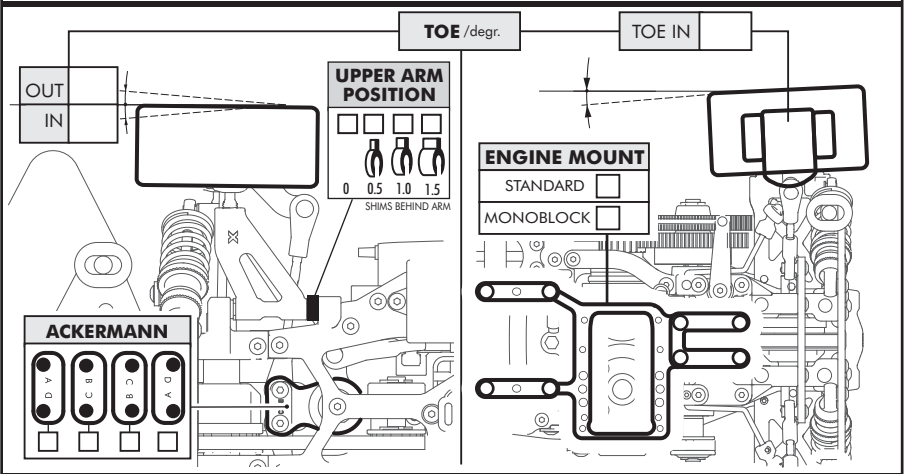
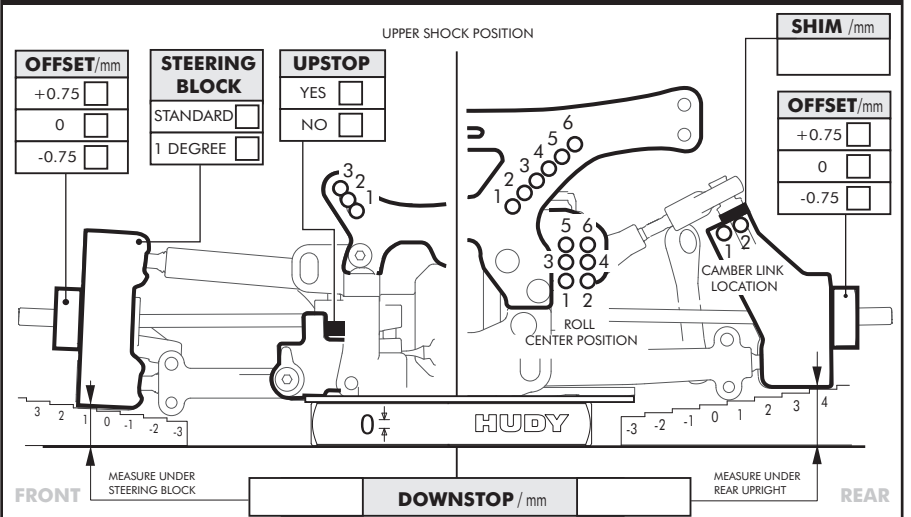
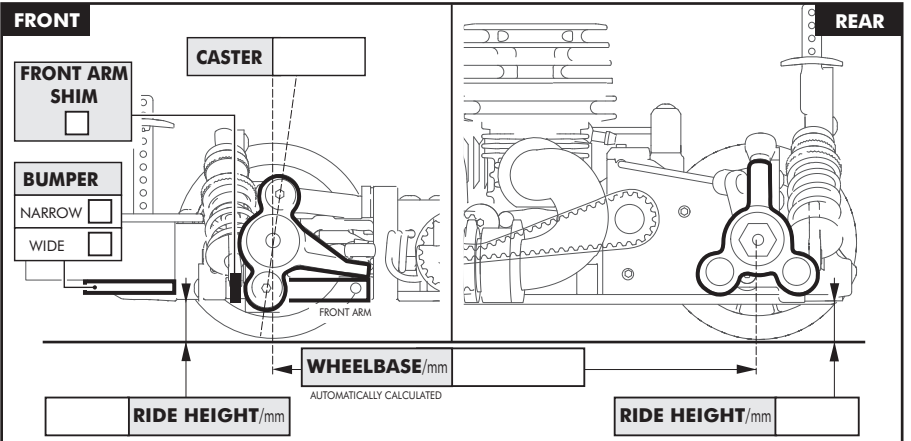
FRONT	ANTI-ROLL BAR	REAR
<input type="checkbox"/>	<input type="checkbox"/>	<input type="checkbox"/>
0°	30°	45°
0°	30°	45°
NO		
0.7		

FRONT	TIRES	REAR
LEFT	RIGHT	LEFT
	MANUFACTURER	RIGHT
	SHORE / deg°	
	DIAMETER / mm	
	5 MIN. WEAR /mm	
	RUBBER TIRES	
	INSERT	

ENGINE			
ENGINE			
CARB. DIA /mm	HEAD SHIM /mm	PLUG	
MUFFLER	FUEL		

CLUTCH / BRAKE			
FLYWHEEL	<input type="checkbox"/> STANDARD	OTHER	
CLUTCH FLYWEIGHTS	<input type="checkbox"/> STANDARD	OTHER	
CLUTCH SHOE		CLUTCH SPRING	<input type="checkbox"/> STANDARD
CLEARANCE /mm		ADJ. NUT /mm	
BRAKE PAD	<input type="checkbox"/> STANDARD	OTHER	
BRAKE SETTING %			

BODY		
WING HEIGHT	WING POSITION	WING ANGLE



COMMENTS